

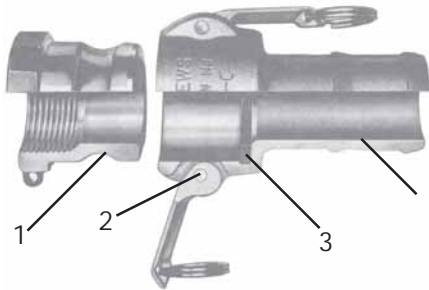
# CAM & GROOVE



## Couplings & Accessories

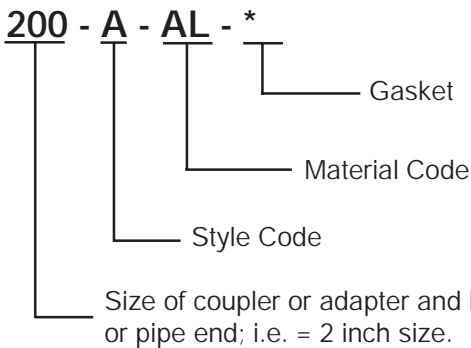
## Cam and Groove Information

### "ANDREWS"



1. Precision machined to rigid tolerances.
2. Durable stainless steel cam arm pins will not rust or bind, for greater strength and safety.
3. Recess holds gasket firmly in place - assures proper placement.
4. Long shank design allows proper banding thus eliminating the major cause of hose damage.

### ANDREWS ORDERING SYSTEM



*If coupling is a reducing size, the coupler or adapter is the first size (i.e. 4030-C is 4 inch coupler to 3 inch hose shank.)*

### Operation of Cam and Groove

1. To make connection, simply slide the adapter into the coupler and with normal hand pressure, press the cam levers down.
2. Uncoupling is as quick and simple as coupling. Just lift the cam arms and remove the adapter.

### "BOSS-LOCK"

"Boss-Lock" Cam & Groove provides a **unique patented safety feature.**



The Cast-in lugs allow safety clips to be attached once the lugs are passed through slots in the special cam lever arms. These clips prevent the coupler from being unlocked until they are removed, providing a **positive locking action.**

### Pull Ring Safety Clips



Dixon has developed the **Pull Ring Safety Clip** to simplify the locking action on "Boss-Lock" couplers. No more inserting clips or dangling lanyards, just a twist and it's locked, giving you a low profile **positive locking action.**

The Pull Ring Safety Clip will be phased into stock on all "Boss-Lock" couplers as inventory is replaced.

**Buy with Confidence**  
*"Boss-Lock" Investment Stainless Steel Cam Arms are Guaranteed!!!*  
 Should you ever break a "Boss-Lock" Investment Stainless Steel Cam Arm, simply return it to the nearest warehouse for a free replacement.

## SPECIFICATIONS ON OUR CAM AND GROOVE

**Specifications:** "Andrews", "Boss-Lock" and "EZ Boss-Lock" Cam and Groove couplers and adapters are produced to interchange with all product produced to **Mil-C-27487F**. No standard exists for the 1/2" and 8" fittings, and generally these sizes do not interchange with other manufacturers.  
*Dust Caps and Dust Plugs are NOT to be used in Pressure Applications for safety and environmental reasons.*

**Pressure Ratings:** **Designed for use with Liquids**, consult Dixon for specific recommendations.



Recommendations based on the use of mating Dixon fittings at ambient temperature (70° F) with standard Buna-N Seal installed. For use at elevated temperature or other unusual operating conditions, consult the factory.

"Andrews", "Boss-Lock" and "EZ Boss-Lock" Couplers and Adapters Maximum Working Pressure						
Sizes	1/2"	3/4"-2"	2 1/2"	3"	4"	5" & 6"
PSI	150	250	150	125	100	75

## "EZ BOSS-LOCK"

No more fumbling with clamps, wire, clips or pins . . .  
*Just close the handles and the locking mechanism is engaged.*

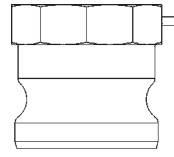


### Unlike other safety couplings . . .

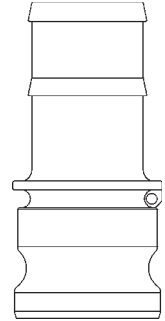
- The EZ Boss-Lock is extremely **EASY TO OPEN!!!** *The release lever is under your thumb when you want to open the fitting. ERGONOMIC.*
- The EZ Boss-Lock is resistant to accidental disconnection when being dragged. *The release lever opens in the direction opposite to the cam arm, so movements that tend to open the release lever also tend to close the cam arm!!!*
- The EZ Boss-Lock alerts you if it is not properly engaged. *If the rotating lever is not flush with the handle, it is not properly engaged.*
- The EZ Boss-Lock has no sliding pins to jam. *The EZ Boss-Lock's rotating action helps keep the locking device free of debris.*
- The EZ Boss-Lock has no sliding pins to pop open. *The EZ Boss-Lock is designed to protect critical parts from impact and to withstand rugged use.*
- The EZ Boss-Lock can be supplied with special shanks custom suited to your needs. *The EZ Boss-Lock is available with Swaged and PF shank designs, for hard to couple chemical hoses.*
- The EZ Boss-Lock cam arm assemblies are made of investment cast Stainless Steel with plated Carbon Steel pull rings.
- The EZ Boss-Lock is easier to insert into the hose tubes on Tank Trucks, and easier to use in restricted spaces. *This is due to the smaller maximum O.D. and a more snag free exterior.*
- The EZ Boss-Lock Cam Arm assemblies can be retrofitted onto Undamaged Stainless Steel Boss-Lock. *This allows you to protect your investment in Stainless Steel Boss-Lock couplings while you upgrade.*
- The EZ Boss-Lock is Made in the USA.

*All measurements in this brochure are for reference only and are subject to change. Where dimensions are critical, please consult the factory. For products not shown or special application questions, please consult the factory.*

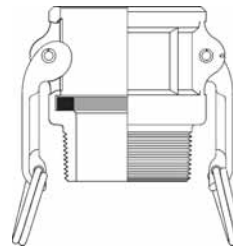
## CAM & GROOVE LINE DRAWINGS



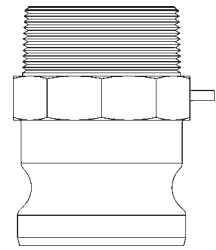
**TYPE A**  
(male adapter x female NPT)



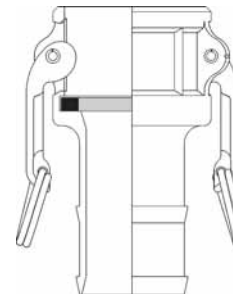
**TYPE E**  
(male adapter x hose shank)



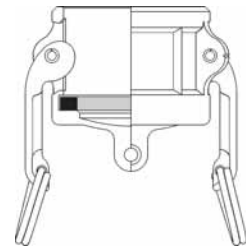
**TYPE B**  
(female coupler x male NPT)



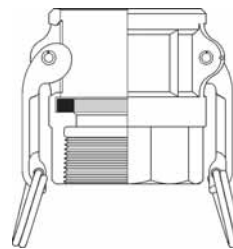
**TYPE F**  
(male adapter x male NPT)



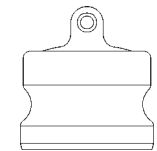
**TYPE C**  
(female coupler x hose shank)



**TYPE DC \***  
(dust cap)



**TYPE D**  
(female coupler x female NPT)



**TYPE DP \***  
(dust plug)

**NOTE:** Line drawings are representative of the Dixon / "Andrews" line of cam and groove.

*\* Dust Caps and Dust Plugs are NOT to be used in Pressure Applications for safety and environmental reasons.*

**WARNING:**  
**UNDER NO CIRCUMSTANCES**  
 should Cam and Groove couplings  
 be used for compressed air  
 or steam service!

**SAFETY**  
**ALERT**

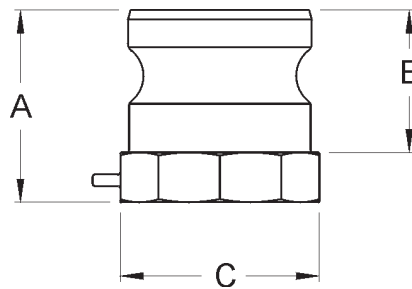


Male Adapter x Female NPT

	Aluminum	Aluminum Hard Coat	Brass	Unplated Malleable Iron	Plated Malleable Iron	Stainless Steel
Size	Part #	Part #	Part #	Part #	Part #	Part #
1/2"	50-A-AL	----	50-A-BR	----	----	50-A-SS
3/4" x 1/2"	7550-A-AL	----	7550-A-BR	----	----	7550-A-SS
3/4"	75-A-AL	----	75-A-BR	----	75-A-PM	75-A-SS
1"	100-A-AL	----	100-A-BR	----	100-A-PM	100-A-SS
1 1/4"	125-A-AL	----	125-A-BR	----	----	125-A-SS
1 1/2"	150-A-AL	150-A-ALH	150-A-BR	150-A-MI	150-A-PM	150-A-SS
2"	200-A-AL	200-A-ALH	200-A-BR	200-A-MI	200-A-PM	200-A-SS
2 1/2"	250-A-AL	----	250-A-BR	----	250-A-PM	250-A-SS
3"	300-A-AL	300-A-ALH	300-A-BR	300-A-MI	300-A-PM	300-A-SS
4"	400-A-AL	400-A-ALH	400-A-BR	400-A-MI	400-A-PM	400-A-SS
5"	500-A-AL	----	----	500-A-MI	----	500-A-SS
6"	600-A-AL	600-A-ALH	600-A-BR	----	600-A-PM	600-A-SS
8" AND*	800-A-AL	----	----	----	----	----
8" BL*	801-A-AL	----	----	----	----	----

- \* "Andrews" and "Boss-Lock" Cam and Groove Couplings **DO NOT INTERCHANGE IN THE 8" SIZE.**
- The 8" "Boss-Lock" were designed to interchange with 8" Cam & Groove Couplings manufactured by P.T. Coupling.

**SAFETY  
ALERT**



ALUMINUM, BRASS and MALLEABLE IRON DIMENSIONS

Size	1/2"	3/4" x 1/2"	3/4"	1"	1 1/4"	1 1/2"	2"	2 1/2"	3"	4"	5"	6"	8" AND	8" BL
<b>A</b> Overall Length	1 9/16	1 5/8	1 7/16	1 11/16	2 3/16	2 7/32	2 19/32	2 3/4	2 3/4	3 1/8	3 17/32	3 3/8	4 13/16	4 7/16
<b>B</b> Adapter Length	1	1	1	1 5/16	1 9/16	1 5/8	1 7/8	1 15/16	2	2 1/16	2 5/16	2 1/4	3 9/16	2 1/4
<b>C</b> Distance Across Flats	1	1 5/16	1 5/16	1 1/2	2	2 9/32	2 25/32	3 1/4	3 7/8	5	5 15/16	7 3/4*	10 5/8*	10 5/8*

STAINLESS STEEL DIMENSIONS

Size	1/2"	3/4" x 1/2"	3/4"	1"	1 1/4"	1 1/2"	2"	2 1/2"	3"	4"	5"	6"	8" AND	8" BL
<b>A</b> Overall Length	1 9/16	1 19/32	1 1/2	1 31/32	2 3/16	2 3/16	2 19/32	2 11/16	2 29/32	3 11/64	3 5/16	3 1/4	----	----
<b>B</b> Adapter Length	1	1	1	1 5/16	1 9/16	1 5/8	1 7/8	1 15/16	2	2 1/16	2 5/16	2 1/4	----	----
<b>C</b> Distance Across Flats	1	1 5/16	1 5/16	1 1/2	2	2 1/4	2 11/16	3 1/4	3 3/4	5	6 3/4*	6 3/4*	----	----

\* Distance Over Lugs.



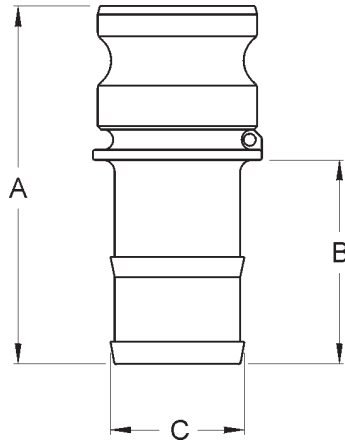


Male Adapter x Hose Shank

	Aluminum	Aluminum Hard Coat	Brass	Unplated Malleable Iron	Plated Malleable Iron	Stainless Steel
Size	Part #	Part #	Part #	Part #	Part #	Part #
1/2"	50-E-AL	----	50-E-BR	----	----	50-E-SS
3/4" x 1/2"	7550-E-AL	----	7550-E-BR	----	7550-E-PM	7550-E-SS
3/4"	75-E-AL	----	75-E-BR	----	75-E-PM	75-E-SS
1"	100-E-AL	----	100-E-BR	----	100-E-PM	100-E-SS
1 1/4"	125-E-AL	----	125-E-BR	----	125-E-PM	125-E-SS
1 1/2"	150-E-AL	150-E-ALH	150-E-BR	150-E-MI	150-E-PM	150-E-SS
2"	200-E-AL	200-E-ALH	200-E-BR	200-E-MI	200-E-PM	200-E-SS
2 1/2"	250-E-AL	----	250-E-BR	----	----	250-E-SS
3"	300-E-AL	300-E-ALH	300-E-BR	300-E-MI	300-E-PM	300-E-SS
4"	400-E-AL	400-E-ALH	400-E-BR	400-E-MI	400-E-PM	400-E-SS
5"	500-E-AL	----	----	----	----	500-E-SS
6"	600-E-AL	600-E-ALH	600-E-BR	----	600-E-PM	600-E-SS
8" AND*	800-E-AL	----	----	----	----	----
8" BL*	801-E-AL	----	----	----	----	----

- \* "Andrews" and "Boss-Lock" Cam and Groove Couplings **DO NOT INTERCHANGE IN THE 8" SIZE.**
- The 8" "Boss-Lock" were designed to interchange with 8" Cam & Groove Couplings manufactured by P.T. Coupling.

**SAFETY**  
**ALERT**



**ALUMINUM, BRASS and MALLEABLE IRON DIMENSIONS**

Size	1/2"	3/4 x 1/2"	3/4"	1"	1 1/4"	1 1/2"	2"	2 1/2"	3"	4"	5"	6"	8" AND	8" BL
<b>A</b> Overall Length	2 1/2	2 3/4	3	3 13/16	4 15/16	5 1/16	5 5/8	6 1/4	6 7/8	7 3/16	7 5/32	9 13/16	11 13/16	11
<b>B</b> Hose Shank Length	1 7/16	1 5/16	2	2 1/2	2 13/16	2 15/16	3 1/4	3 3/4	4 3/16	4 1/4	4 1/4	6 3/4	8	8
<b>C</b> Hose Shank O.D.	9/16	19/32	27/32	1 3/64	1 11/32	1 9/16	2 1/16	2 19/32	3 3/32	4 3/32	5 3/32	6 3/32	8 1/16	8 1/16

**STAINLESS STEEL DIMENSIONS**

Size	1/2"	3/4 x 1/2"	3/4"	1"	1 1/4"	1 1/2"	2"	2 1/2"	3"	4"	5"	6"	8" AND
<b>A</b> Overall Length	2 7/16	2 3/4	3	4 25/64	4 7/8	5	5 17/32	6 1/4	6 11/16	6 53/64	7 15/16	8 5/8	-----
<b>B</b> Hose Shank Length	1 7/16	1 5/16	2	2 43/64	2 7/8	2 15/16	3 5/32	3 3/4	4	4 1/4	4 15/16	5 1/2	-----
<b>C</b> Hose Shank O.D.	9/16	9/16	13/16	1 3/64	1 5/16	1 9/16	2 1/16	2 19/32	3 3/32	4 3/32	5 3/32	6 3/32	-----



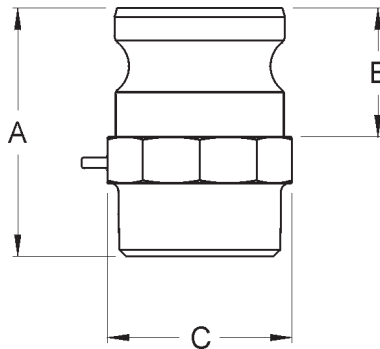
Male Adapter x Male NPT

	Aluminum	Aluminum Hard Coat	Brass	Unplated Malleable Iron	Plated Malleable Iron	Stainless Steel
Size	Part #	Part #	Part #	Part #	Part #	Part #
1/2"	50-F-AL	----	50-F-BR	----	----	50-F-SS
3/4" x 1/2"	7550-F-AL	----	7550-F-BR	----	----	7550-F-SS
3/4"	75-F-AL	----	75-F-BR	----	75-F-PM	75-F-SS
1"	100-F-AL	----	100-F-BR	----	100-F-PM	100-F-SS
1 1/4"	125-F-AL	----	125-F-BR	----	----	125-F-SS
1 1/2"	150-F-AL	150-F-ALH	150-F-BR	150-F-MI	150-F-PM	150-F-SS
2"	200-F-AL	200-F-ALH	200-F-BR	200-F-MI	200-F-PM	200-F-SS
2 1/2"	250-F-AL	----	250-F-BR	----	250-F-PM	250-F-SS
3"	300-F-AL	300-F-ALH	300-F-BR	300-F-MI	300-F-PM	300-F-SS
4"	400-F-AL	400-F-ALH	400-F-BR	400-F-MI	400-F-PM	400-F-SS
5"	500-F-AL	----	----	----	----	----
6"	600-F-AL	600-F-ALH	600-F-BR	----	600-F-PM	600-F-SS
8" AND*	800-F-AL	----	----	----	----	----
8" BL*	801-F-AL	----	----	----	----	----

\* "Andrews" and "Boss-Lock" Cam and Groove Couplings **DO NOT INTERCHANGE IN THE 8" SIZE.**

- The 8" "Boss-Lock" were designed to interchange with 8" Cam & Groove Couplings manufactured by P.T. Coupling.

**SAFETY**  
**ALERT**



ALUMINUM, BRASS and MALLEABLE IRON DIMENSIONS

Size	1/2"	3/4" x 1/2"	3/4"	1"	1 1/4"	1 1/2"	2"	2 1/2"	3"	4"	5"	6"	8" AND	8" BL
<b>A</b> Overall Length	2 1/8	2 7/16	2 1/16	2 3/8	2 15/16	3 5/32	3 17/32	4 3/8	4 15/32	4 21/32	4 1/2	5 17/32	6 15/16	6 3/8
<b>B</b> Adapter Length	1	1	1	1 5/16	1 9/16	1 5/8	1 7/8	1 15/16	2	2 1/16	2 5/16	2 1/4	3 9/16	3 1/16
<b>C</b> Distance Across Flats	1	1 5/16	1 3/8	1 1/2	1 7/8	2 1/4	2 11/16	3 1/4	3 3/4	5	6 1/2*	8 1/32*	10 5/8*	10 5/8*

STAINLESS STEEL DIMENSIONS

Size	1/2"	3/4" x 1/2"	3/4"	1"	1 1/4"	1 1/2"	2"	2 1/2"	3"	4"	5"	6"	8" AND	8" BL
<b>A</b> Overall Length	2 1/8	2 1/4	2 1/16	2 23/32	2 15/16	3 1/8	3 21/32	4 5/16	4 17/32	4 59/64	-----	4 15/16	-----	-----
<b>B</b> Adapter Length	1	1	1	1 5/16	1 9/16	1 5/8	1 7/8	1 15/16	2	2 1/16	-----	2 1/4	-----	-----
<b>C</b> Distance Across Flats	1	1 5/16	1 5/16	1 1/2	1 7/8	2 1/4	2 11/16	3 1/4	3 3/4	5	-----	7 3/4*	-----	-----

\* Distance Over Lugs



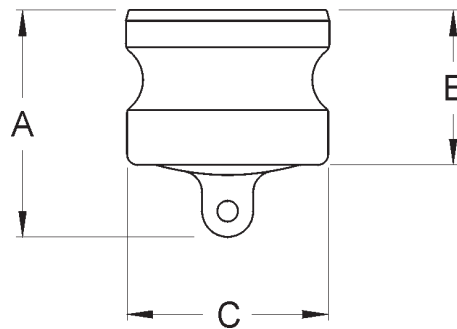
Dust Plug

	Aluminum	Aluminum Hard Coat	Brass	Unplated Malleable Iron	Plated Malleable Iron	Stainless Steel
Size	Part #	Part #	Part #	Part #	Part #	Part #
1/2"	50-DP-AL	----	50-DP-BR	----	----	50-DP-SS
3/4"	75-DP-AL	----	75-DP-BR	----	----	75-DP-SS
1"	100-DP-AL	----	100-DP-BR	----	100-DP-PM	100-DP-SS
1 1/4"	125-DP-AL	----	125-DP-BR	125-DP-MI	125-DP-PM	125-DP-SS
1 1/2"	150-DP-AL	150-DP-ALH	150-DP-BR	150-DP-MI	150-DP-PM	150-DP-SS
2"	200-DP-AL	200-DP-ALH	200-DP-BR	200-DP-MI	200-DP-PM	200-DP-SS
2 1/2"	250-DP-AL	----	250-DP-BR	----	250-DP-PM	250-DP-SS
3"	300-DP-AL	300-DP-ALH	300-DP-BR	300-DP-MI	300-DP-PM	300-DP-SS
4"	400-DP-AL	400-DP-ALH	400-DP-BR	400-DP-MI	400-DP-PM	400-DP-SS
5"	500-DP-AL	----	----	----	----	----
6"	600-DP-AL	600-DP-ALH	600-DP-BR	----	----	600-DP-SS
8" AND*	800-DP-AL	----	----	----	----	----
8" BL*	801-DP-AL	----	----	----	----	----

- \* "Andrews" and "Boss-Lock" Cam and Groove Couplings **DO NOT INTERCHANGE IN THE 8" SIZE.**
- The 8" "Boss-Lock" were designed to interchange with 8" Cam & Groove Couplings manufactured by P.T. Coupling.

**SAFETY**  
**ALERT**

*Dust caps and Dust Plugs are NOT to be used in Pressure Applications for safety and environmental reasons.*



**ALUMINUM, BRASS and MALLEABLE IRON DIMENSIONS**

Size	1/2"	3/4"	1"	1 1/4"	1 1/2"	2"	2 1/2"	3"	4"	5"	6"	8" AND	8" BL
<b>A</b> Overall Length	1 1/4	1 1/4	1 11/32	2 3/8	2 13/32	2 7/8	2 9/16	2 13/16	3 1/16	3 11/16	3 3/16	5 1/4	4 1/2
<b>B</b> Adapter Length	1	1	1 5/16	1 9/16	1 5/8	1 7/8	1 15/16	2	2 1/16	2 5/16	2 1/4	3 1/4	2 3/4
<b>C</b> Outside O.D.	1 1/4	1 1/4	1 7/16	1 25/32	2 3/32	2 31/64	2 63/64	3 19/32	4 45/64	5 47/64	6 59/64	9 7/64	8 59/64

**STAINLESS STEEL DIMENSIONS**

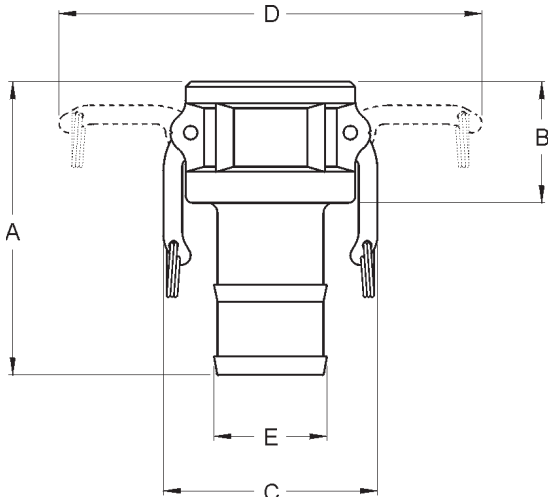
Size	1/2"	3/4"	1"	1 1/4"	1 1/2"	2"	2 1/2"	3"	4"	5"	6"	8" AND	8" BL
<b>A</b> Overall Length	1 1/4	1 1/4	1 11/32	2	2 1/2	2 3/4	2 7/8	2 27/32	3 1/8	-----	3 3/8	-----	-----
<b>B</b> Adapter Length	1	1	1 5/16	1 9/16	1 5/8	1 7/8	1 15/16	2	2 1/16	-----	2 1/4	-----	-----
<b>C</b> Outside O.D.	1 1/4	1 1/4	1 7/16	1 25/32	2 3/32	2 31/64	2 63/64	3 19/32	4 45/64	-----	6 59/64	-----	-----

# Dixon "Andrews" Type C Couplers



Female Coupler x Hose Shank

	Aluminum	Aluminum Hard Coat	Brass	Unplated Malleable Iron	Stainless Steel
Size	Part #	Part #	Part #	Part #	Part #
1/2"	50-C-AL	----	50-C-BR	----	50-C-SS
3/4"	75-C-AL	----	75-C-BR	----	75-C-SS
1"	100-C-AL	----	100-C-BR	----	100-C-SS
1 1/4"	----	----	----	----	125-C-SS
1 1/2"	150-C-AL	150-C-ALH	150-C-BR	150-C-MI	150-C-SS
2"	200-C-AL	200-C-ALH	200-C-BR	200-C-MI	200-C-SS
2 1/2"	----	----	----	----	250-C-SS
3"	300-C-AL	300-C-ALH	300-C-BR	300-C-MI	300-C-SS
4"	400-C-AL	400-C-ALH	400-C-BR	400-C-MI	400-C-SS
5"	500-C-AL	----	----	----	500-C-SS
6"	600-C-AL	600-C-ALH	600-C-BR	----	600-C-SS
8"*	800-C-AL	----	----	----	----



\* "Andrews" and "Boss-Lock" Cam and Groove Couplings **DO NOT INTERCHANGE IN THE 8" SIZE.**



- See "Boss-Lock" for 1 1/4" and 2 1/2" couplers.
- The 8" "Andrews" design has 4 cam arms. 1/2" Andrews has only one cam arm.
- **Finger rings are not supplied on 1/2" - 1" "Andrews" couplings.**

### ALUMINUM, BRASS and MALLEABLE IRON DIMENSIONS

Size	1/2"	3/4"	1"	1 1/4"	1 1/2"	2"	2 1/2"	3"	4"	5"	6"	8"
A Overall Length	2 21/32	3 3/4	4 7/32	4 41/64	4 25/32	5 19/32	-----	6 1/2	6 9/16	6 9/16	9 3/8	11 13/16
B Coupler Length	1 7/32	1 1/4	1 19/32	1 59/64	1 7/8	2 11/32	-----	2 5/16	2 5/16	2 5/16	2 5/8	3 13/16
C Distance Across Closed Cam Arms	1 17/32	2 1/8	2 7/16	3 1/4	3 9/16	3 15/16	-----	5 15/32	6 9/16	7 9/16	10 3/32	12 1/32
D Distance Across Open Cam Arms	2 11/16	4 3/8	5 3/16	7 5/32	7 7/16	7 13/16	-----	10 3/32	11 3/16	12 3/16	16 1/4	19 31/32
E Hose Shank O.D.	9/16	13/16	1 3/64	1 5/16	1 9/16	2 1/16	-----	3 3/32	4 3/32	5 3/32	6 3/32	8 1/16

### STAINLESS STEEL DIMENSIONS

Size	1/2"	3/4"	1"	1 1/4"	1 1/2"	2"	2 1/2"	3"	4"	5"	6"
A Overall Length	3 1/4	3 11/16	4 1/4	4 41/64	4 27/32	5 3/8	6	6 3/8	6 17/32	7 3/8	8 3/32
B Coupler Length	1 1/4	1 1/4	1 9/16	1 29/32	1 29/32	2 7/32	2 1/4	2 3/8	2 9/32	2 7/16	2 19/32
C Distance Across Closed Cam Arms	1 17/32	2 1/8	2 7/16	3 1/4	3 9/16	3 15/16	4 7/16	5 15/32	6 9/16	7 9/16	10 3/32
D Distance Across Open Cam Arms	2 11/16	4 3/8	5 3/16	7 5/32	7 7/16	7 13/16	8 11/32	10 3/32	11 3/16	12 3/16	16 1/4
E Hose Shank O.D.	9/16	13/16	1 3/64	1 5/16	1 9/16	2 1/16	2 19/32	3 3/32	4 3/32	5 3/32	6 3/32



# "Boss-Lock" Type C Couplers



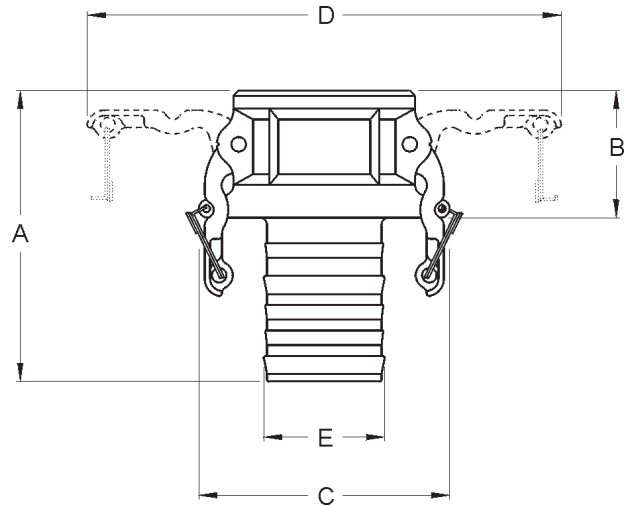
Female Coupler x Hose Shank

	Aluminum	Brass	Plated Malleable Iron	Stainless Steel
Size	Part #	Part #	Part #	Part #
3/4" 1/2"	----	----	----	RC050BL
3/4"	AC075	BC075	IC075	RC075BL
1"	AC100	BC100	IC100	RC100BL
1 1/4"	AC125	BC125	----	RC125BL
1 1/2"	AC150	BC150	IC150	RC150BL
2"	AC200	BC200	IC200	RC200BL
2 1/2"	AC250	BC250	----	----
3"	AC300	BC300	IC300	RC300BL
4"	AC400	BC400	IC400	RC400BL
6"	AC600	BC600	IC600	----
8" *	AC800	----	----	----

\* "Andrews" and "Boss-Lock" Cam and Groove Couplings **DO NOT INTERCHANGE IN THE 8" SIZE.**



- The 8" "Boss-Lock" design has 2 cam arms.
- All "Boss-Lock" Couplers come with SAFETY CLIPS.
- The 8" "Boss-Lock" were designed to interchange with 8" Cam & Groove Couplings manufactured by P.T. Coupling.



### ALUMINUM, BRASS and MALLEABLE IRON DIMENSIONS

Size	3/4 x 1/2"	3/4"	1"	1 1/4"	1 1/2"	2"	2 1/2"	3"	4"	5"	6"	8"
A Overall Length	-----	4 25/64	4 57/64	5 7/16	4 29/32	5 19/32	6 1/16	6 19/64	6 9/16	-----	8 3/8	11 13/16
Coupler Length	-----	1 33/64	1 35/64	2 3/32	2 5/32	2 7/32	2 1/4	2 19/64	2 5/16	-----	2 5/8	2 13/16
C Distance Across Safety Lugs	-----	2 19/32	2 29/32	3 39/64	3 29/32	4 5/16	4 13/16	5 9/16	6 11/16	-----	9 5/8	11 5/8
Distance Across Open Cam Arms	-----	5 13/32	5 9/16	7 15/32	7 25/32	8 5/32	8 21/32	9 29/32	11	-----	16 5/32	18 11/64
E Hose Shank O.D.	-----	13/16	1 3/64	1 5/16	1 9/16	2 1/16	2 19/32	3 3/32	4 3/32	-----	6 3/32	8 1/16

### STAINLESS STEEL DIMENSIONS

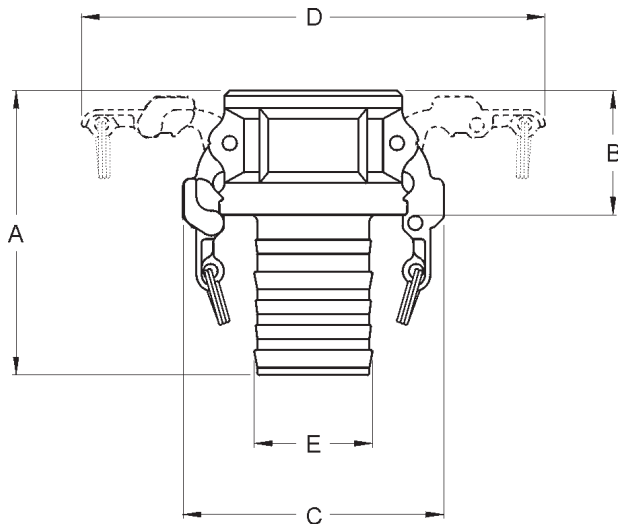
Size	3/4 x 1/2"	3/4"	1"	1 1/4"	1 1/2"	2"	2 1/2"	3"	4"	5"	6"	8"
A Overall Length	3 7/64	3 7/8	4 17/32	5 7/16	4 27/32	5	-----	6 9/32	7 3/8	-----	-----	-----
B Coupler Length	1 27/64	1 7/16	1 9/16	2 3/32	2 5/32	2 3/16	-----	2 9/32	2 5/16	-----	-----	-----
C Distance Across Safety Lugs	2 25/32	2 25/32	2 29/32	3 39/64	3 29/32	4 5/16	-----	5 9/16	6 11/16	-----	-----	-----
D Distance Across Open Cam Arms	5 13/32	5 13/32	5 9/16	7 15/32	7 25/32	8 5/32	-----	9 29/32	11	-----	-----	-----
E Hose Shank O.D.	9/16	13/16	1 3/64	1 5/16	1 9/16	2 1/16	-----	3 3/32	4 3/32	-----	-----	-----

# "EZ Boss-Lock" Type C Couplers



Female Coupler x Hose Shank

	Aluminum	Brass	Stainless Steel
Size	Part #	Part #	Part #
1/2"	----	----	RC050EZ
3/4"	AC075EZ	BC075EZ	RC075EZ
1"	AC100EZ	BC100EZ	RC100EZ
1 1/4"	----	BC125EZ	RC125EZ
1 1/2"	AC150EZ	BC150EZ	RC150EZ
2"	AC200EZ	BC200EZ	RC200EZ
2 1/2"	AC250EZ	BC250EZ	----
3"	AC300EZ	BC300EZ	RC300EZ
4"	AC400EZ	BC400EZ	RC400EZ
6"	AC600EZ	----	RC600EZ
8" *	AC800EZ	----	----



\* "Andrews" and "Boss-Lock" Cam and Groove Couplings **DO NOT INTERCHANGE IN THE 8" SIZE.**



- The 8" "EZ Boss-Lock" design has 2 cam arms.
- **UNDER NO CIRCUMSTANCES** should the "EZ Boss-Lock" cam arms be used on any fitting not specifically produced for their use.
- The "EZ Boss-Lock" cam arms **CANNOT** be retrofitted onto existing Aluminum, Brass or Plated Malleable Iron Boss-Lock already in service.

## ALUMINUM, BRASS and MALLEABLE IRON DIMENSIONS

Size	3/4 x 1/2"	3/4"	1"	1 1/4"	1 1/2"	2"	2 1/2"	3"	4"	6"	8"
A Overall Length	3 7/64	4 25/64	4 57/64	5 7/16	4 29/32	5 19/32	6 1/16	6 19/64	6 9/16	8 3/8	11 13/16
B Coupler Length	1 27/64	1 33/64	1 35/64	2 3/32	2 5/32	2 7/32	2 1/4	2 19/64	2 5/16	2 5/8	2 13/16
C Distance Across Closed Cam Arms	3 3/32	3 3/32	3 1/4	3 29/32	4 7/32	4 19/32	5 3/32	5 23/32	6 27/32	10 1/32	12 1/32
D Distance Across Open Cam Arms	6 7/32	6 7/32	6 3/8	7 15/32	7 25/32	8 5/32	8 21/32	9 29/32	11	16 25/32	18 25/32
E Hose Shank O.D.	9/16	13/16	1 3/64	1 5/16	1 9/16	2 1/16	2 19/32	3 3/32	4 3/32	6 3/32	8 1/16

## STAINLESS STEEL DIMENSIONS

Size	3/4 x 1/2"	3/4"	1"	1 1/4"	1 1/2"	2"	2 1/2"	3"	4"	6"	8"
A Overall Length	3 7/64	3 7/8	4 17/32	5 7/16	4 27/32	5	-----	6 9/32	7 3/8	8 3/32	-----
B Coupler Length	1 27/64	1 7/16	1 9/16	2 3/32	2 5/32	2 3/16	-----	2 9/32	2 5/16	2 19/32	-----
C Distance Across Closed Cam Arms	3 3/32	3 3/32	3 1/4	3 29/32	4 7/32	4 19/32	-----	5 23/32	6 27/32	10 1/32	-----
D Distance Across Open Cam Arms	5 13/32	5 13/32	5 9/16	7 15/32	7 25/32	8 5/32	-----	9 29/32	11	16 5/32	-----
E Hose Shank O.D.	9/16	13/16	1 3/64	1 5/16	1 9/16	2 1/16	-----	3 3/32	4 3/32	6 3/32	-----

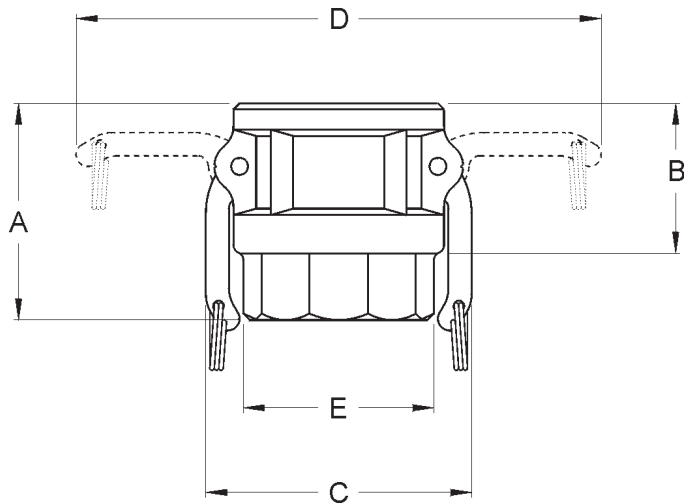


Female Coupler x Female NPT

	Aluminum	Aluminum Hard Coat	Brass	Unplated Malleable Iron	Stainless Steel
Size	Part #	Part #	Part #	Part #	Part #
1/2"	50-D-AL	-----	50-D-BR	-----	50-D-SS
3/4"	75-D-AL	-----	75-D-BR	-----	75-D-SS
1"	100-D-AL	-----	100-D-BR	-----	100-D-SS
1 1/4"	-----	-----	-----	-----	125-D-SS
1 1/2"	150-D-AL	150-D-ALH	150-D-BR	150-D-MI	150-D-SS
2"	200-D-AL	200-D-ALH	200-D-BR	200-D-MI	200-D-SS
2 1/2"	-----	-----	-----	-----	250-D-SS
3"	300-D-AL	300-D-ALH	300-D-BR	300-D-MI	300-D-SS
4"	400-D-AL	400-D-ALH	400-D-BR	400-D-MI	400-D-SS
5"	500-D-AL	-----	500-D-BR	500-D-MI	500-D-SS
6"	600-D-AL	600-D-ALH	600-D-BR	-----	600-D-SS
8" *	800-D-AL	-----	-----	-----	-----

- \* "Andrews" and "Boss-Lock" Cam and Groove Couplings **DO NOT INTERCHANGE IN THE 8" SIZE**. The 8" "Andrews" design has 4 cam arms.
- See "Boss-Lock" for 1 1/4" and 2 1/2" couplers.
- Finger rings are not supplied on 1/2" - 1" "Andrews" couplings.
- 1/2" Andrews has only one cam arm.

**SAFETY ALERT**



### ALUMINUM, BRASS and MALLEABLE IRON DIMENSIONS

Size	1/2"	3/4"	1"	1 1/4"	1 1/2"	2"	2 1/2"	3"	4"	5"	6"	8"
<b>A</b> Overall Length	2	2 5/32	2 9/16	2 27/32	2 7/8	2 27/32	-----	3 11/16	3 15/16	3 3/4	4 11/32	6
<b>B</b> Coupler Length	1 7/32	1 3/8	1 9/16	1 15/16	1 27/32	1 15/16	-----	2 3/8	2 5/16	2 5/16	2 5/8	4 1/4
<b>C</b> Distance Across Closed Cam Arms	1 17/32	2 1/8	2 7/16	3 1/4	3 9/16	3 1/4	-----	5 15/32	6 9/16	7 9/16	10 3/32	12 1/32
<b>D</b> Distance Across Open Cam Arms	2 11/16	4 3/8	5 3/16	7 5/32	7 7/16	7 5/32	-----	10 3/32	11 3/16	12 3/16	16 1/4	19 3/32
<b>E</b> Distance Across Flats	1 1/16	1 9/32	1 19/32	2	2 3/16	2 5/8	-----	3 7/8	5 1/16	6*	7 25/32*	10 3/4*

### STAINLESS STEEL DIMENSIONS

Size	1/2"	3/4"	1"	1 1/4"	1 1/2"	2"	2 1/2"	3"	4"	5"	6"	8"
<b>A</b> Overall Length	1 7/8	2 1/16	2 1/2	2 27/32	2 27/32	3 13/64	3 7/16	3 19/32	3 47/64	4 1/16	4 1/16	-----
<b>B</b> Coupler Length	1 1/4	1 1/4	1 9/16	1 15/16	1 29/32	2 7/32	2 1/4	2 9/32	2 21/64	2 7/16	2 19/32	-----
<b>C</b> Distance Across Closed Cam Arms	1 17/32	2 1/8	2 7/16	3 1/4	3 9/16	3 15/16	4 7/16	5 15/32	6 9/16	7 9/16	10 3/32	-----
<b>D</b> Distance Across Open Cam Arms	2 11/16	4 3/8	5 3/16	7 5/32	7 7/16	7 13/16	8 11/32	10 3/32	11 3/16	12 13/16	16 1/4	-----
<b>E</b> Distance Across Flats	1 1/16	1 5/16	1 5/8	2	2 3/16	2 11/16	3 5/16	3 3/4	4 7/8	6 13/32*	7 5/8*	-----

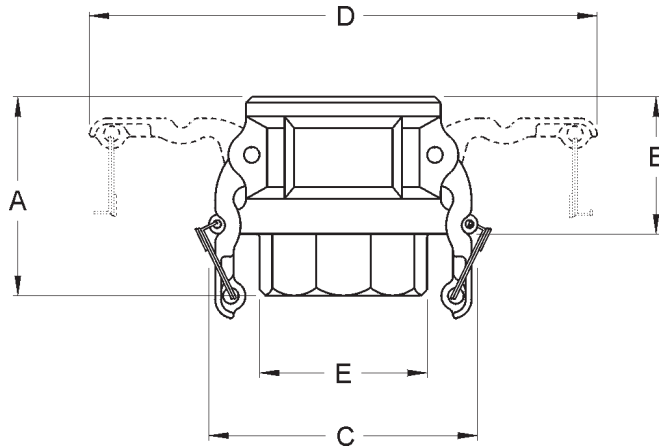
\* Distance Across Lugs.

# "Boss-Lock" Type D Couplers



Female Coupler x Female NPT

	Aluminum	Brass	Plated Malleable Iron	Stainless Steel
Size	Part #	Part #	Part #	Part #
3/4" x 1/2"	AD050	BD050	----	RD050BL
3/4"	AD075	BD075	ID075	RD075BL
1"	AD100	BD100	ID100	RD100BL
1 1/4"	AD125	BD125	----	RD125BL
1 1/2"	AD150	BD150	ID150	RD150BL
2"	AD200	BD200	ID200	RD200BL
2 1/2"	AD250	BD250	----	----
3"	AD300	BD300	ID300	RD300BL
4"	AD400	BD400	ID400	RD400BL
5"	AD500	----	----	----
6"	AD600	BD600	ID600	----
8" *	AD800	----	----	----



\* "Andrews" and "Boss-Lock" Cam and Groove Couplings **DO NOT INTERCHANGE IN THE 8" SIZE.**

**SAFETY ALERT**

- The 8" "Boss-Lock" design has 2 cam arms.
- All "Boss-Lock" Couplers come with SAFETY CLIPS.
- The 8" "Boss-Lock" were designed to interchange with 8" Cam & Groove Couplings manufactured by P.T. Coupling.

### ALUMINUM, BRASS and MALLEABLE IRON DIMENSIONS

Size	3/4 x 1/2"	3/4"	1"	1 1/4"	1 1/2"	2"	2 1/2"	3"	4"	5"	6"	8"
<b>A</b> Overall Length	2	2 15/64	2 35/64	3 3/32	3 7/32	3 1/4	3 11/16	3 55/64	3 13/16	3 15/16	4 5/8	4 1/2
<b>B</b> Coupler Length	1 27/64	1 33/64	1 35/64	2 3/32	2 3/32	2 7/32	2 1/4	2 19/64	2 5/16	2 5/16	2 5/8	2 13/16
<b>C</b> Distance Across Safety Lugs	2 19/32	2 19/32	2 29/32	3 39/64	3 29/32	4 5/16	4 13/16	5 9/16	6 11/16	7 25/32	9 5/8	11 5/8
<b>D</b> Distance Across Open Cam Arms	5 13/32	5 13/32	5 9/16	7 15/32	7 25/32	8 5/32	8 21/32	9 29/32	11	12 1/32	16 5/32	18 11/64
<b>E</b> Distance Across Flats	1 3/16	1 3/8	1 5/8	2	2 9/32	2 5/8	3 5/16	3 7/8	4 7/8	6	8 5/32*	9 7/8*

### STAINLESS STEEL DIMENSIONS

Size	3/4 x 1/2"	3/4"	1"	1 1/4"	1 1/2"	2"	2 1/2"	3"	4"	5"	6"	8"
<b>A</b> Overall Length	2	2 1/64	2 1/2	3 3/32	2 27/32	3 3/16	-----	3 19/32	3 13/16	-----	-----	-----
<b>B</b> Coupler Length	1 27/64	1 7/16	1 9/16	2 3/32	2 5/32	2 3/16	-----	2 9/32	2 5/16	-----	-----	-----
<b>C</b> Distance Across Safety Lugs	2 25/32	2 25/32	2 29/32	3 39/64	3 29/32	4 5/16	-----	5 9/16	5 11/16	-----	-----	-----
<b>D</b> Distance Across Open Cam Arms	5 13/32	5 13/32	5 9/16	7 15/32	7 25/32	8 5/32	-----	9 55/64	11	-----	-----	-----
<b>E</b> Distance Across Flats	1 3/16	1 3/8	1 5/8	2	2 3/16	2 11/16	-----	3 3/4	5 3/16	-----	-----	-----

\* Distance Across Lugs.



Female Coupler x Female NPT

	Aluminum	Brass	Stainless Steel
Size	Part #	Part #	Part #
3/4" x 1/2"	-----	-----	RD050EZ
3/4"	AD075EZ	BD075EZ	RD075EZ
1"	AD100EZ	BD100EZ	RD100EZ
1 1/4"	-----	BD125EZ	RD125EZ
1 1/2"	AD150EZ	BD150EZ	RD150EZ
2"	AD200EZ	BD200EZ	RD200EZ
2 1/2"	AD250EZ	BD250EZ	-----
3"	AD300EZ	BD300EZ	RD300EZ
4"	AD400EZ	BD400EZ	RD400EZ
5"	AD500EZ	-----	-----
6"	AD600EZ	-----	RD600EZ
8" *	AD800EZ	-----	-----

\* "Andrews" and "Boss-Lock" Cam and Groove Couplings  
**DO NOT INTERCHANGE IN THE 8" SIZE.**

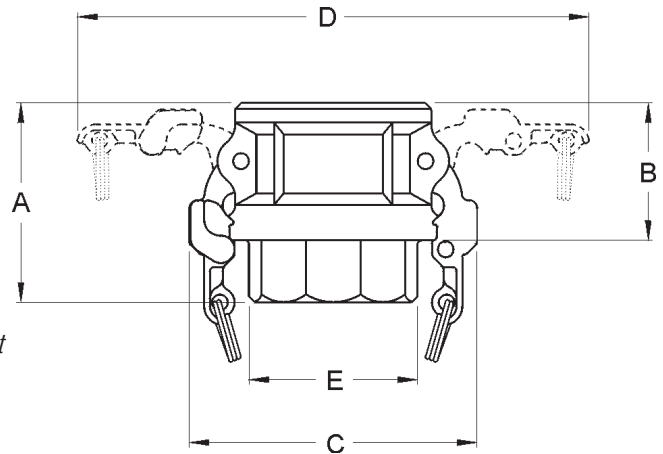
- The 8" "EZ Boss-Lock" design has 2 cam arms.



**UNDER NO CIRCUMSTANCES should the "EZ Boss-Lock" cam arms be used on any fitting not specifically produced for their use.**

The Aluminum, Brass and Malleable Iron are made from sand castings. To insure proper functioning of the "EZ Boss-Lock" cam arm assemblies, we sort the castings to insure there is sufficient length and orientation on the lugs on the main casting to engage the lever. We also buff or grind the rougher sand cast surface to insure that the lever will move freely.

**The "EZ Boss-Lock" cam arms CANNOT be retrofitted onto existing Aluminum, Brass or Plated Malleable Iron Boss-Lock already in service.**



### ALUMINUM, BRASS and MALLEABLE IRON DIMENSIONS

Size	3/4 x 1/2"	3/4"	1"	1 1/4"	1 1/2"	2"	2 1/2"	3"	4"	5"	6"	8"
A Overall Length	-----	2 15/64	2 35/64	3 3/32	3 7/32	3 1/4	3 11/16	3 55/64	3 13/16	3 15/16	4 5/8	4 1/2
B Coupler Length	-----	1 33/64	1 35/64	2 3/32	2 3/32	2 7/32	2 1/4	2 19/64	2 5/16	2 5/16	2 5/8	2 13/16
C Distance Across Closed Cam Arms	-----	3 3/32	3 1/4	3 29/32	4 7/32	4 19/32	5 3/32	5 23/32	6 27/32	7 7/8	10 1/32	12 1/32
D Distance Across Open Cam Arms	-----	6 7/32	6 3/8	7 15/32	7 25/32	8 5/32	8 21/32	9 29/32	11	12 1/16	16 25/32	18 25/32
E Distance Across Flats	-----	1 3/8	1 5/8	2	2 9/32	2 5/8	3 5/16	3 7/8	4 7/8	6	8 5/32*	9 7/8*

### STAINLESS STEEL DIMENSIONS

Size	3/4 x 1/2"	3/4"	1"	1 1/4"	1 1/2"	2"	2 1/2"	3"	4"	5"	6"	8"
A Overall Length	2	2 1/64	2 1/2	3 3/32	2 27/32	3 3/16	-----	3 19/32	3 13/16	-----	4 1/16	-----
B Coupler Length	1 27/64	1 7/16	1 9/16	2 3/32	2 5/32	2 3/16	-----	2 9/32	2 5/16	-----	2 19/32	-----
C Distance Across Closed Cam Arms	3 3/32	3 3/32	3 1/4	3 29/32	4 7/32	4 19/32	-----	5 23/32	6 27/32	-----	10 1/32	-----
D Distance Across Open Cam Arms	6 7/32	6 7/32	6 3/8	7 15/32	7 25/32	8 5/32	-----	9 29/32	11	-----	16 25/32	-----
E Distance Across Flats	1 3/16	1 3/8	1 5/8	2	2 3/16	2 11/16	-----	9 55/64	5 3/16	-----	7 5/8*	-----

\* Distance Across Lugs

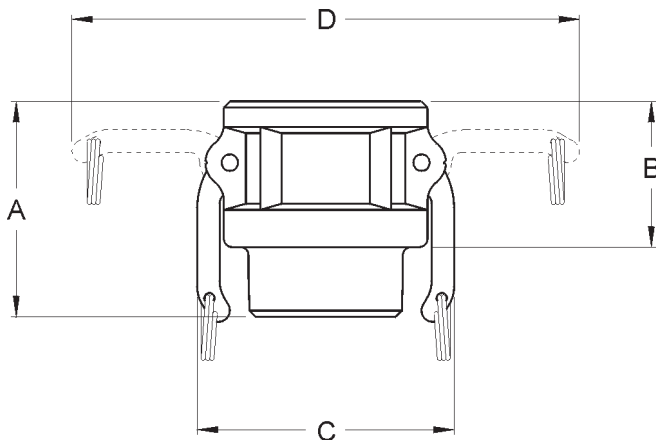


# Dixon "Andrews" Type B Couplers



Female Coupler x Male NPT

Size	Aluminum Part #	Aluminum Hard Coat Part #	Brass Part #	Unplated Malleable Iron Part #	Stainless Steel Part #
1/2"	50-B-AL	----	50-B-BR	----	50-B-SS
3/4"	75-B-AL	----	75-B-BR	----	75-B-SS
1"	100-B-AL	----	100-B-BR	----	100-B-SS
1 1/2"	150-B-AL	150-B-ALH	150-B-BR	150-B-MI	150-B-SS
2"	200-B-AL	200-B-ALH	200-B-BR	200-B-MI	200-B-SS
2 1/2"	----	----	----	----	250-B-SS
3"	300-B-AL	300-B-ALH	300-B-BR	----	300-B-SS
4"	400-B-AL	400-B-ALH	400-B-BR	300-B-MI	400-B-SS
5"	500-B-AL	----	----	400-B-MI	600-B-SS
6"	600-B-AL	600-B-ALH	----	----	----
8" *	800-B-AL	----	----	----	----



\* "Andrews" and "Boss-Lock" Cam and Groove Couplings **DO NOT INTERCHANGE IN THE 8" SIZE.**

• See "Boss-Lock" for 1 1/4" and 2 1/2" couplers.

• The 8" "Andrews" design has 4 cam arms.

• **Finger rings are not supplied on 1/2" - 1" "Andrews" couplings.**

• 1/2" Andrews has only one cam arm.



### ALUMINUM, BRASS and MALLEABLE IRON DIMENSIONS

Size	1/2"	3/4"	1"	1 1/4"	1 1/2"	2"	2 1/2"	3"	4"	5"	6"	8"
<b>A</b> Overall Length	2	2 3/16	2 17/32	2 7/8	2 13/16	3 9/32	----	3 15/16	4 1/32	4 3/16	4 7/16	8 7/16
<b>B</b> Coupler Length	1 7/32	1 3/8	1 19/32	1 31/32	1 29/32	2 7/32	----	2 15/16	2 11/32	2 5/16	2 5/8	3 13/16
<b>C</b> Distance Across Closed Cam Arms	1 17/32	2 1/8	2 7/16	3 1/4	3 9/16	3 15/16	----	5 15/32	6 9/16	7 9/16	10 3/32	12 1/32
<b>D</b> Distance Across Open Cam Arms	2 11/16	4 3/8	5 3/16	7 5/32	7 7/16	7 13/16	----	10 3/32	11 3/16	12 3/16	16 1/4	19 31/32

### STAINLESS STEEL DIMENSIONS

Size	1/2"	3/4"	1"	1 1/4"	1 1/2"	2"	2 1/2"	3"	4"	5"	6"	8"
<b>A</b> Overall Length	1 7/8	2 1/8	2 9/16	2 27/32	2 31/32	3 9/32	3 7/16	3 59/64	4 1/64	----	4 35/64	----
<b>B</b> Coupler Length	1 1/4	1 1/4	1 9/16	1 29/32	1 29/32	2 7/32	2 1/4	2 9/32	2 9/32	----	2 19/32	----
<b>C</b> Distance Across Closed Cam Arms	1 17/32	2 1/8	2 7/16	3 1/4	3 9/16	3 15/16	4 7/16	5 15/32	6 9/16	----	10 3/32	----
<b>D</b> Distance Across Open Cam Arms	2 11/16	4 3/8	5 3/16	7 5/32	7 7/16	7 13/16	8 11/32	10 3/32	11 3/16	----	16 1/4	----



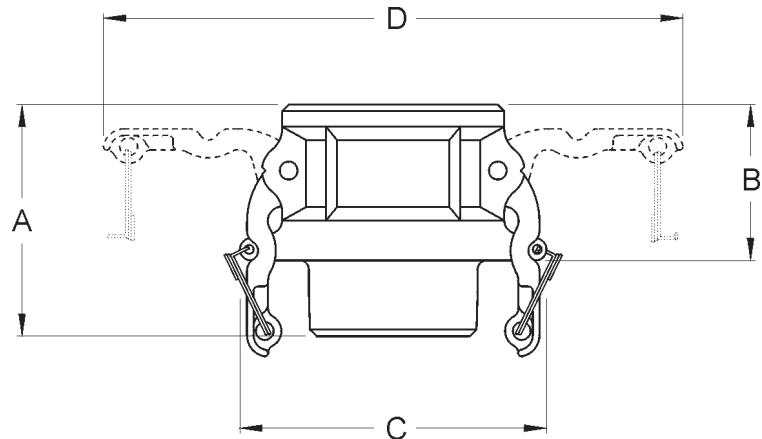
Female Coupler x Male NPT

	Aluminum	Brass	Plated Malleable Iron	Stainless Steel
Size	Part #	Part #	Part #	Part #
3/4" x 1/2"	AB050	BB050	IB050	RB050BL
3/4"	AB075	BB075	IB075	RB075BL
1"	AB100	BB100	IB100	RB100BL
1 1/4"	AB125	BB125	-----	RB125BL
1 1/2"	AB150	BB150	IB150	RB150BL
2"	AB200	BB200	IB200	RB200BL
2 1/2"	AB250	BB250	-----	-----
3"	AB300	BB300	IB300	RB300BL
4"	AB400	BB400	IB400	RB400BL
5"	-----	-----	-----	-----
6"	AB600	BB600	-----	-----
8" *	AB800	-----	-----	-----

\* "Andrews" and "Boss-Lock" Cam and Groove Couplings **DO NOT INTERCHANGE IN THE 8" SIZE.**

**SAFETY ALERT**

- The 8" "Boss-Lock" design has 2 cam arms.
- All "Boss-Lock" Couplers come with SAFETY CLIPS.
- The 8" "Boss-Lock" were designed to interchange with 8" Cam & Groove Couplings manufactured by P.T. Coupling.



### ALUMINUM, BRASS and MALLEABLE IRON DIMENSIONS

Size	3/4 x 1/2"	3/4"	1"	1 1/4"	1 1/2"	2"	2 1/2"	3"	4"	5"	6"	8"
<b>A</b> Overall Length	2 15/64	2 5/16	2 35/64	3 5/32	3 5/32	3 9/32	3 7/8	4	4 1/16	-----	4 23/32	7 1/8
<b>B</b> Coupler Length	1 27/64	1 33/64	1 35/64	2 3/32	2 3/32	1 27/64	2 1/4	2 5/16	2 5/16	-----	2 19/32	2 13/16
<b>C</b> Distance Across Safety Lugs	2 19/32	2 19/32	2 29/32	3 39/32	3 29/32	4 5/16	4 13/16	5 9/16	6 11/16	-----	9 5/8	11 5/8
<b>D</b> Distance Across Open Cam Arms	5 13/32	5 13/32	5 9/16	7 15/32	7 25/32	5 13/32	8 21/32	9 55/64	11	-----	16 5/32	18 11/64

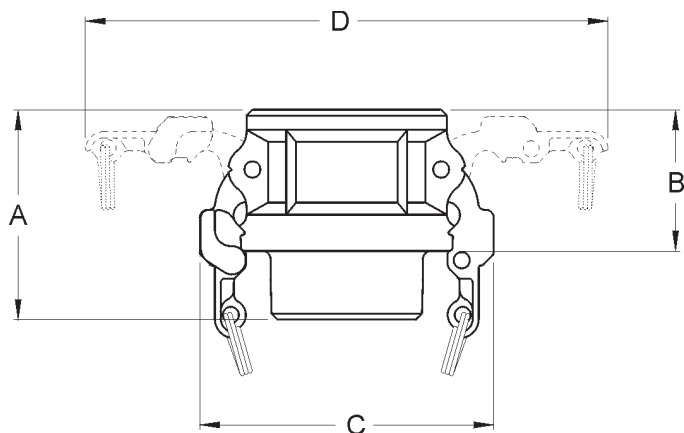
### STAINLESS STEEL DIMENSIONS

Size	3/4 x 1/2"	3/4"	1"	1 1/4"	1 1/2"	2"	2 1/2"	3"	4"	5"	6"	8"
<b>A</b> Overall Length	2 19/64	2 5/16	2 9/16	3 3/16	3 7/32	3 9/32	-----	3 59/64	4 1/16	-----	-----	-----
<b>B</b> Coupler Length	1 27/64	1 33/64	1 35/64	2 3/32	2 3/32	2 7/32	-----	2 9/32	2 5/16	-----	-----	-----
<b>C</b> Distance Across Safety Lugs	2 25/32	2 25/32	2 29/32	3 39/64	3 29/32	4 5/16	-----	5 9/16	6 11/16	-----	-----	-----
<b>D</b> Distance Across Open Cam Arms	5 13/32	5 13/32	5 9/16	7 15/32	7 25/32	8 5/32	-----	9 29/32	11	-----	-----	-----



Female Coupler x Male NPT

	Aluminum	Brass	Stainless Steel
Size	Part #	Part #	Part #
3/4" x 1/2"	----	----	RB050EZ
3/4"	----	BB075EZ	RB075EZ
1"	----	BB100EZ	RB100EZ
1 1/4"	AB100EZ	BB125EZ	RB125EZ
1 1/2"	AB150EZ	BB150EZ	RB150EZ
2"	AB200EZ	BB200EZ	RB200EZ
3"	AB300EZ	BB300EZ	RB300EZ
4"	AB400EZ	BB400EZ	RB400EZ
6"	AB600EZ	----	RB600EZ



**UNDER NO CIRCUMSTANCES** should the "EZ Boss-Lock" cam arms be used on any fitting not specifically produced for their use.

The Aluminum, Brass and Malleable Iron are made from sand castings. To insure proper functioning of the "EZ Boss-Lock" cam arm assemblies, we sort the castings to insure there is sufficient length and orientation on the lugs on the main casting to engage the lever. We also buff or grind the rougher sand cast surface to insure that the lever will move freely.

**The "EZ Boss-Lock" cam arms CANNOT be retrofitted onto existing Aluminum, Brass or Plated Malleable Iron Boss-Lock already in service.**

**ALUMINUM, BRASS and MALLEABLE IRON DIMENSIONS**

Size	3/4 x 1/2"	3/4"	1"	1 1/4"	1 1/2"	2"	2 1/2"	3"	4"	5"	6"	8"
<b>A</b> Overall Length	-----	2 5/16	2 9/16	3 3/16	3 5/32	3 9/32	-----	4	4 1/16	-----	4 23/32	-----
<b>B</b> Coupler Length	-----	1 33/64	1 9/16	2 3/32	2 3/32	2 7/32	-----	2 5/16	2 5/16	-----	2 19/32	-----
<b>C</b> Distance Across Closed Cam Arms	-----	3 3/32	3 1/4	3 29/32	4 7/32	4 19/32	-----	5 23/32	6 27/32	-----	10 1/32	-----
<b>D</b> Distance Across Open Cam Arms	-----	6 7/32	6 3/8	7 15/32	7 25/32	8 5/32	-----	9 29/32	11	-----	16 25/32	-----

**STAINLESS STEEL DIMENSIONS**

Size	3/4 x 1/2"	3/4"	1"	1 1/4"	1 1/2"	2"	2 1/2"	3"	4"	5"	6"	8"
<b>A</b> Overall Length	2 19/64	2 1/4	2 9/16	3 3/16	3 7/32	3 1/4	-----	3 59/64	4 1/16	-----	4 35/64	-----
<b>B</b> Coupler Length	1 27/64	1 19/64	1 9/16	2 3/32	2 5/32	2 3/16	-----	2 9/32	2 5/16	-----	2 19/32	-----
<b>C</b> Distance Across Closed Cam Arms	3 3/32	3 3/32	3 1/4	3 29/32	4 7/32	4 19/32	-----	5 23/32	6 27/32	-----	10 1/32	-----
<b>D</b> Distance Across Open Cam Arms	6 7/32	6 7/32	6 3/8	7 15/32	7 25/32	8 5/32	-----	9 29/32	11	-----	16 25/32	-----



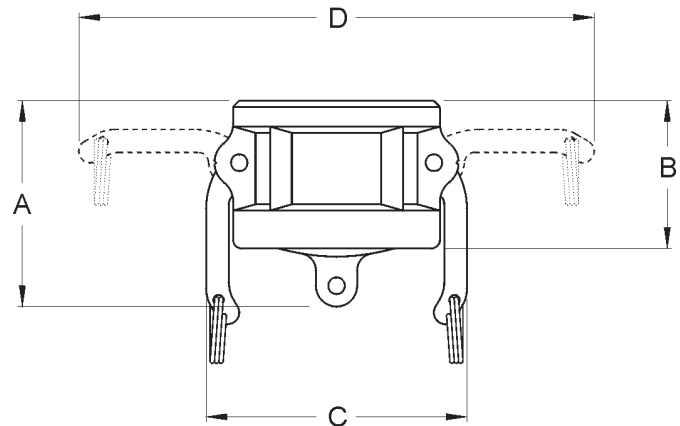
Type DC Dust Cap

	Aluminum	Aluminum Hard Coat	Brass	Unplated Malleable Iron	Stainless Steel
Size	Part #	Part #	Part #	Part #	Part #
1/2"	50-DC-AL	----	50-DC-BR	----	50-DC-SS
3/4"	75-DC-AL	----	75-DC-BR	----	75-DC-SS
1"	100-DC-AL	----	100-DC-BR	----	100-DC-SS
1 1/2"	150-DC-AL	150-DC-ALH	150-DC-BR	----	150-DC-SS
2"	200-DC-AL	200-DC-ALH	200-DC-BR	200-DC-MI	200-DC-SS
3"	300-DC-AL	300-DC-ALH	300-DC-BR	----	250-DC-SS
4"	400-DC-AL	400-DC-ALH	400-DC-BR	300-DC-MI	300-DC-SS
5"	500-DC-AL	----	500-DC-BR	400-DC-MI	400-DC-SS
6"	600-DC-AL	600-DC-ALH	----	----	500-DC-SS
8" *	800-DC-AL	----	----	----	600-DC-SS

Dust Caps and Dust Plugs are NOT to be used in Pressure Applications for safety and environmental reasons.

- \* "Andrews" and "Boss-Lock" Cam and Groove Couplings **DO NOT INTERCHANGE IN THE 8" SIZE.**
- \*\* See "Boss-Lock" for 1 1/4" and 2 1/2" couplers.
- The 8" "Andrews" Dust Cap has 2 cam arms, unlike the Andrews Type D, which has 4.
- Finger rings are not supplied on 1/2" - 1" "Andrews" couplings.
- 1/2" Andrews has only one cam arm.

**SAFETY ALERT**



### ALUMINUM, BRASS and MALLEABLE IRON DIMENSIONS

Size	1/2"	3/4"	1"	1 1/4"	1 1/2"	2"	2 1/2"	3"	4"	5"	6"	8"
A Overall Length	1 13/16	2 1/16	2 11/32	2 9/16	2 23/32	3 1/64	-----	3 1/8	3 21/32	3 1/2	3 13/16	5 7/16
B Coupler Length	1 1/4	1 3/8	1 21/32	2	1 7/8	2 7/32	-----	2 1/4	2 5/16	2 5/16	2 5/8	3 13/16
C Distance Across Closed Cam Arms	1 17/32	2 1/8	2 7/16	3 1/4	3 9/16	3 15/16	-----	5 15/32	6 9/16	7 9/16	10 3/32	12 1/32
D Distance Across Open Cam Arms	2 11/16	4 3/8	5 3/16	7 5/32	7 7/16	7 13/16	-----	10 3/32	11 3/16	12 3/16	16 1/4	19 31/32

### STAINLESS STEEL DIMENSIONS

Size	1/2"	3/4"	1"	1 1/4"	1 1/2"	2"	2 1/2"	3"	4"	5"	6"	8"
A Overall Length	1 3/4	1 3/4	2 3/16	-----	2 13/16	3 3/32	3 1/16	3 1/8	3 35/64	3 3/8	3 3/4	-----
B Coupler Length	1 1/4	1 1/4	1 9/16	-----	1 29/32	2 7/32	2 1/4	2 9/32	2 9/32	2 7/16	2 19/32	-----
C Distance Across Closed Cam Arms	1 17/32	2 1/8	2 7/16	-----	3 9/16	3 15/16	4 7/16	5 15/32	6 9/16	7 9/16	10 3/32	-----
D Distance Across Open Cam Arms	2 11/16	4 3/8	5 3/16	-----	7 7/16	7 13/16	8 11/32	10 3/32	11 3/16	12 3/16	16 1/4	-----

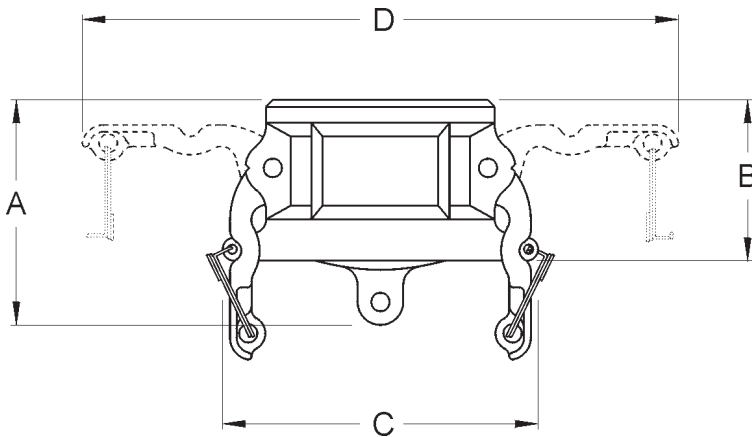
# Dixon "Boss-Lock" Type H Dust Cap



Type H Dust Cap

	Aluminum	Brass	Plated Malleable Iron	Stainless Steel
Size	Part #	Part #	Part #	Part #
3/4"	AH075	BH075	IH075	RH075BL
1"	AH100	BH100	IH100	RH100BL
1 1/4"	AH125	BH125	-----	RH125BL
1 1/2"	AH150	BH150	IH150	RH150BL
2"	AH200	BH200	IH200	RH200BL
2 1/2"	AH250	BH250	IH250	-----
3"	AH300	BH300	IH300	RH300BL
4"	AH400	BH400	IH400	RH400BL
6"	AH600	BH600	IH600	-----
8" *	AH800	----	-----	-----

Dust Caps and Dust Plugs are NOT to be used in Pressure Applications for safety and environmental reasons.



- \* "Andrews" and "Boss-Lock" Cam and Groove Couplings DO NOT INTERCHANGE IN THE 8" SIZE.
- The 8" "Boss-Lock" design has 2 cam arms.
- All "Boss-Lock" Couplers come with SAFETY CLIPS.
- The 8" "Boss-Lock" were designed to interchange with 8" Cam & Groove Couplings manufactured by P.T. Coupling.



### ALUMINUM, BRASS and MALLEABLE IRON DIMENSIONS

Size	3/4"	1"	1 1/4"	1 1/2"	2"	2 1/2"	3"	4"	5"	6"	8"
A Overall Length	2 1/16	2 7/32	2 3/4	2 15/16	3 1/16	3 7/32	3 1/8	3 3/8	-----	3 7/8	4 9/16
B Coupler Length	1 31/64	1 9/16	2 3/32	2 3/32	2 3/16	2 1/4	2 19/64	2 5/16	-----	2 19/32	2 13/16
C Distance Across Safety Lugs	2 19/32	2 29/32	3 39/64	3 29/32	4 5/16	4 13/16	5 9/16	6 11/16	-----	9 5/8	11 5/8
D Distance Across Open Cam Arms	5 13/32	5 9/16	7 15/32	7 25/32	8 5/32	8 21/32	9 29/32	11	-----	16 5/32	18 11/64

### STAINLESS STEEL DIMENSIONS

Size	3/4"	1"	1 1/4"	1 1/2"	2"	2 1/2"	3"	4"	5"	6"	8"
A Overall Length	1 15/16	2 3/16	2 3/4	2 13/16	3 1/16	-----	3 1/8	3 3/8	-----	-----	-----
B Coupler Length	1 7/16	1 9/16	2 3/32	2 5/32	2 3/16	-----	2 9/32	2 5/16	-----	-----	-----
C Distance Across Safety Lugs	2 25/32	2 29/32	3 39/64	3 29/32	4 5/16	-----	5 9/16	6 11/16	-----	-----	-----
D Distance Across Open Cam Arms	5 13/32	5 9/16	7 15/32	7 25/32	8 5/32	-----	9 29/32	11	-----	-----	-----





Dust Cap

	Aluminum	Brass	Stainless Steel
Size	Part #	Part #	Part #
3/4"	-----	BH075EZ	RH075EZ
1"	AH100EZ	BH100EZ	RH100EZ
1 1/4"	-----	-----	RH125EZ
1 1/2"	AH150EZ	BH150EZ	RH150EZ
2"	AH200EZ	BH200EZ	RH200EZ
2 1/2"	AH250EZ	-----	-----
3"	AH300EZ	BH300EZ	RH300EZ
4"	AH400EZ	BH400EZ	RH400EZ
6"	AH600EZ	-----	RH600EZ

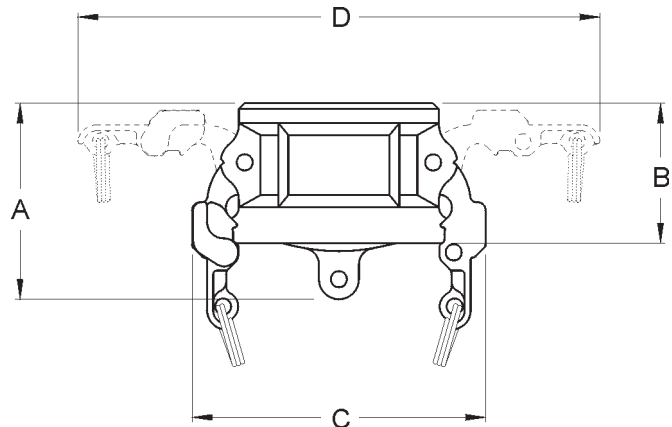
Dust Caps and Dust Plugs are NOT to be used in Pressure Applications for safety and environmental reasons.

UNDER NO CIRCUMSTANCES should the "EZ Boss-Lock" cam arms be used on any fitting not specifically produced for their use.

**SAFETY**  
**ALERT**

The Aluminum, Brass and Malleable Iron are made from sand castings. To insure proper functioning of the "EZ Boss-Lock" cam arm assemblies, we sort the castings to insure there is sufficient length and orientation on the lugs on the main casting to engage the lever. We also buff or grind the rougher sand cast surface to insure that the lever will move freely.

The "EZ Boss-Lock" cam arms **CANNOT** be retrofitted onto existing Aluminum, Brass or Plated Malleable Iron Boss-Lock already in service.



### ALUMINUM, BRASS and MALLEABLE IRON DIMENSIONS

Size	3/4"	1"	1 1/4"	1 1/2"	2"	2 1/2"	3"	4"	6"
A Overall Length	2 1/16	2 7/32	-----	2 15/16	3 1/16	3 7/32	3 1/8	3 3/8	3 7/8
B Coupler Length	1 31/64	1 9/16	-----	2 3/32	2 3/16	2 1/4	2 19/64	2 5/16	2 19/32
C Distance Across Closed Cam Arms	3 3/32	3 1/4	-----	4 7/32	4 19/32	5 3/32	5 23/32	6 27/32	10 1/32
D Distance Across Open Cam Arms	6 7/32	6 3/8	-----	7 25/32	8 5/32	8 21/32	9 29/32	11	16 25/32

### STAINLESS STEEL DIMENSIONS

Size	3/4"	1"	1 1/4"	1 1/2"	2"	2 1/2"	3"	4"	6"
A Overall Length	1 15/16	2 3/16	2 3/4	2 13/16	3 1/16	-----	3 1/8	3 3/8	3 3/4
B Coupler Length	1 7/16	1 9/16	2 3/32	2 5/32	2 3/16	-----	2 9/32	2 5/16	2 19/32
C Distance Across Closed Cam Arms	3 3/32	3 1/4	3 29/32	4 7/32	4 19/32	-----	5 23/32	6 27/32	10 1/32
D Distance Across Open Cam Arms	5 13/32	5 9/16	7 15/32	7 25/32	8 5/32	-----	9 29/32	11	16 5/32

## Swaged "EZ Boss-Lock" Type C Couplers



Coupler x Hose Shank with Ferrule

Size	Minimum Hose O.D.	Maximum Hose O.D.	Stainless Steel Part #
3/4"	1 6/64"	1 22/64"	RC075EZ-70
1"	1 29/64"	1 35/64"	RC100EZ-20
1"	1 9/16"	1 11/16"	RC100EZ-70

Developed specifically for chemical transport hoses having **Crosslinked Polyethylene (XLPE)** or **Ultra High Molecular Weight Polyethylene (UHMW)** tubes. Swaged "Boss-Lock" provides you with a permanently attached Cam and Groove fitting when superior coupling retention is required. In testing tank transport hoses from a wide variety of manufacturers, the Swaged "Boss-Lock" fitting proved itself to be **the clear winner in overall performance**.

Fittings are also available on special order for other sizes or hose O.D.'s. *Consult the Factory for pricing and availability.*

*Consult the Factory for pricing and availability of the special equipment required for installation.*

**SAFETY**  
**ALERT**

## Notched "EZ Boss-Lock" Type C Couplers



Coupler x Hose Shank



Ferrule

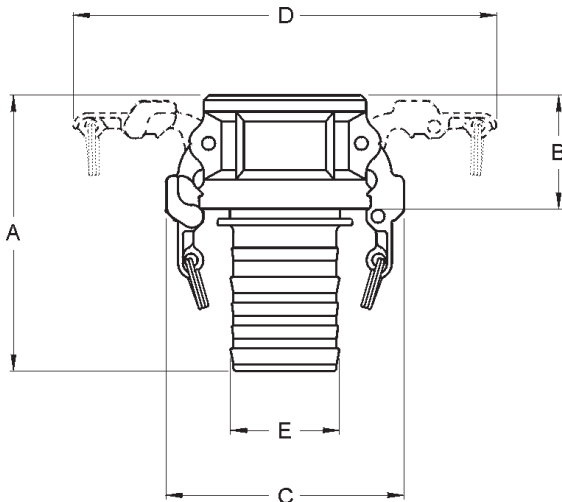
Size	Minimum Hose O.D.	Maximum Hose O.D.	Stainless Steel Part #	Stainless Steel Notched Ferrule Part #
1 1/2"	1 15/16"	2 3/16"	RC150EZNO	GAS2334NO
1 1/2"	2 1/16"	2 11/32"	RC150EZNO	GAS2370NO
2"	2 15/32"	2 11/16"	RC200EZNO	GAS2709NO
2"	2 21/32"	2 27/32"	RC200EZNO	GAS2885NO
3"	3 15/32"	3 23/32"	RC300EZNO	GAS3760NO
3"	3 47/64"	3 27/32"	RC300EZNO	GAS3885NO
4"	4 5/8"	4 47/64"	RC400EZNO	GAS5010NO

The largest advantage of the Notched "EZ Boss-Lock" design is that the coupling can be removed from a damaged hose by cutting away the ferrule, without necessarily damaging the fitting. **After inspection to determine its suitability for reuse**, it can be reinstalled into another hose by **using a new ferrule**.

The Notched EZ "Boss-Lock" system allows you to better manage your inventories. You can stock one coupling and two ferrules, and thereby cover the same hose range with less inventory. **You must purchase a fitting and the matching ferrule to create an assembly.**

*Dixon stems and ferrules are specifically designed to be used together as a coupling system. Due to differences in dimensions and tolerances for safety reasons, do not use other manufacture's stems or ferrules with Dixon Cam and Groove or Holedall products.*

**SAFETY**  
**ALERT**



### STAINLESS STEEL DIMENSIONS

Size	1 1/2"	2"	3"	4"
<b>A</b> Overall Length	5 7/16	5 11/32	6 19/32	7 3/8
<b>B</b> Coupler Length	2 5/32	2 3/16	2 9/32	2 5/16
<b>C</b> Distance Across Closed Cam Arms	4 7/32	4 19/32	5 23/32	6 27/32
<b>D</b> Distance Across Open Cam Arms	7 25/32	8 5/32	9 29/32	11
<b>E</b> Hose Shank O.D.	1 9/16	2 1/16	3 3/32	4 3/32

Size	Minimum Hose O.D.	Maximum Hose O.D.	Stainless Steel Part #
3/4"	1 6/64"	1 22/64"	RE075-1370
1"	1 29/64"	1 35/64"	RE100-1620
1"	1 9/16"	1 11/16"	RE100-1770



Adapter x Hose Shank with Ferrule

Developed specifically for chemical transport hoses having **Crosslinked Polyethylene (XLPE)** or **Ultra High Molecular Weight Polyethylene (UHMW)** tubes. Swaged "Boss-Lock" provides you with a permanently attached Cam and Groove fitting when superior coupling retention is required.

In testing tank transport hoses from a wide variety of manufacturers, the Swaged "Boss-Lock" fitting proved itself to be **the clear winner in overall performance**. Fittings are also available on special order for other sizes or hose O.D.'s. *Consult the Factory for pricing and availability. Consult the Factory for pricing and availability of the special equipment required for installation.*

**SAFETY**  
**ALERT**

## Notched "Boss-Lock" Type E Adapters

Size	Minimum Hose O.D.	Maximum Hose O.D.	Stainless Steel Part #	Stainless Steel Notched Ferrule Part #
1 1/2"	1 15/16"	2 3/16"	RE150NO	GAS2334NO
1 1/2"	2 1/16"	2 11/32"	RE150NO	GAS2370NO
2"	2 15/32"	2 11/16"	RE200NO	GAS2709NO
2"	2 21/32"	2 27/32"	RE200NO	GAS2885NO
3"	3 15/32"	3 23/32"	RE300NO	GAS3760NO
3"	3 47/64"	3 27/32"	RE300NO	GAS3885NO
4"	4 5/8"	4 47/64"	RE400NO	GAS5010NO



Adapter x Hose Shank



Ferrule

The largest advantage of the Notched "Boss-Lock" design is that the coupling can be removed from a damaged hose by cutting away the ferrule, without necessarily damaging the fitting. **After inspection to determine its suitability for reuse**, it can be reinstalled into another hose by **using a new ferrule**.

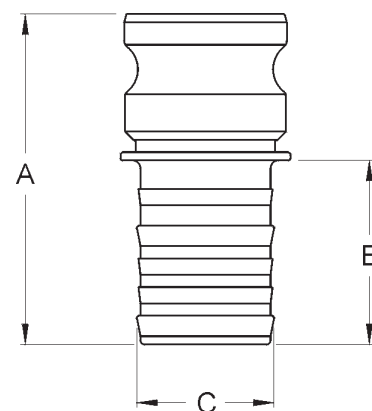
The Notched "Boss-Lock" system allows you to better manage your inventories. You can stock one coupling and two ferrules, and thereby cover the same hose range with less inventory. **You must purchase a fitting and the matching ferrule to create an assembly.**

*Dixon stems and ferrules are specifically designed to be used together as a coupling system. Due to differences in dimensions and tolerances for safety reasons, do not use other manufacture's stems or ferrules with Dixon Cam and Groove or Holedall products.*

**SAFETY**  
**ALERT**

### STAINLESS STEEL DIMENSIONS

Size	1 1/2"	2"	3"	4"
<b>A</b> Overall Length	4 11/16	5 3/64	6 3/8	7 3/16
<b>B</b> Hose Shank Length	2 3/4	2 13/16	4	4 1/4
<b>C</b> Hose Shank O.D.	1 9/16	2 1/16	3 3/32	4 3/32



Contact the Factory for swage and crimp recommendations.

## Notched NOS Shank Adapters and Couplers

### Dixon "Andrews" Notched NOS Shank Cam and Groove Couplers



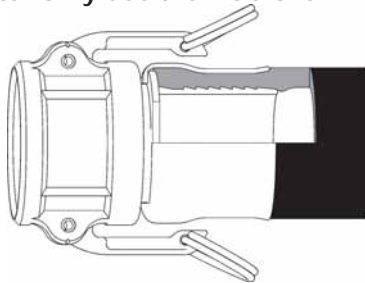
Coupler x Hose Shank



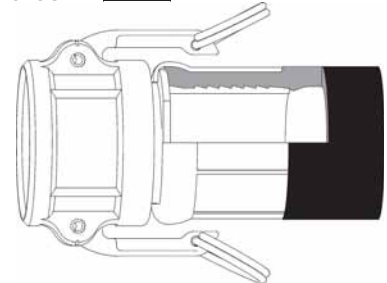
Ferrule

Size	Stainless Steel Part #	Fits Hose O.D.		304 Stainless Steel Ferrule Part #
		From:	To:	
1-1/2"	150CNOSSS	1 15/16"	2 3/16"	GAS2334NOS
1-1/2"	150CNOSSS	2 1/16"	2 11/32"	GAS2370NOS
2"	200CNOSSS	2 15/32"	2 11/16"	GAS2709NOS
2"	200CNOSSS	2 21/32"	2 27/32"	GAS2885NOS
3"	300CNOSSS	3 15/32"	3 23/32"	GAS3760NOS
3"	300CNOSSS	3 47/64"	3 27/32"	GAS3885NOS

Note: Only use the NOS shank *with* the NOS ferrules. **SAFETY**



Swaged Assembly



Crimped Assembly

### Notched NOS Shank Cam and Groove Adapters



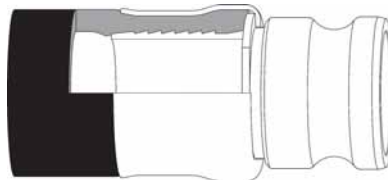
Adapter x Hose Shank



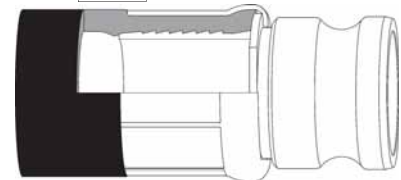
Ferrule

Size	Stainless Steel Part #	Fits Hose O.D.		304 Stainless Steel Ferrule Part #
		From:	To:	
1-1/2"	150ENOSSS	1 15/16"	2 3/16"	GAS2334NOS
1-1/2"	150ENOSSS	2 1/16"	2 11/32"	GAS2370NOS
2"	200ENOSSS	2 15/32"	2 11/16"	GAS2709NOS
2"	200ENOSSS	2 21/32"	2 27/32"	GAS2885NOS
3"	300ENOSSS	3 15/32"	3 23/32"	GAS3760NOS
3"	300ENOSSS	3 47/64"	3 27/32"	GAS3885NOS

Note: Only use the NOS shank *with* the NOS ferrules. **SAFETY ALERT**



Swaged Assembly



Crimped Assembly

### Swaged "Boss-Lock" Type C Cam and Groove Couplers



Coupler x Hose Shank



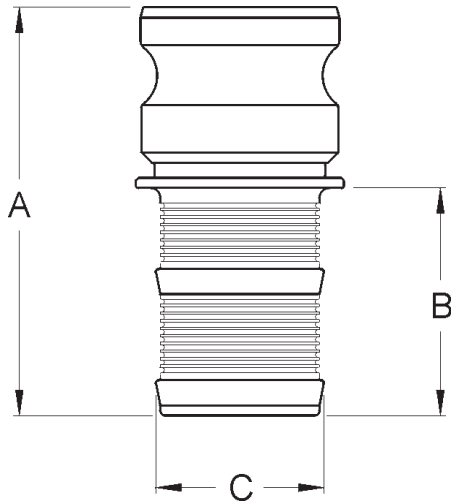
Ferrule

Size	Stainless Steel Part #	Minimum Hose O.D.	Maximum Hose O.D.	Stainless Steel Notched Ferrule Part #
1 1/2"	RC150BLNO	2 1/16"	2 11/32"	GAS2370NO
2"	RC200BLNO	2 15/32"	2 11/16"	GAS2709NO
2"	RC200BLNO	2 21/32"	2 27/32"	GAS2885NO
3"	RC300BLNO	3 15/32"	3 23/32"	GAS3760NO
3"	RC300BLNO	3 47/64"	3 27/32"	GAS3885NO
4"	RC400BLNO	4 5/8"	4 47/64"	GAS5010NO

The largest advantage of the Notched "Boss-Lock" design is that the coupling can be removed from a damaged hose by cutting away the ferrule, without necessarily damaging the fitting.

**After inspection to determine its suitability for reuse**, it can be reinstalled into another hose by using a new ferrule. **SAFETY ALERT**

The Notched "Boss-Lock" system allows you to better manage your inventories. You can stock one coupling and two ferrules, and thereby cover the same hose range with less inventory. **You must purchase a fitting and the matching ferrule to create an assembly.** **SAFETY ALERT**



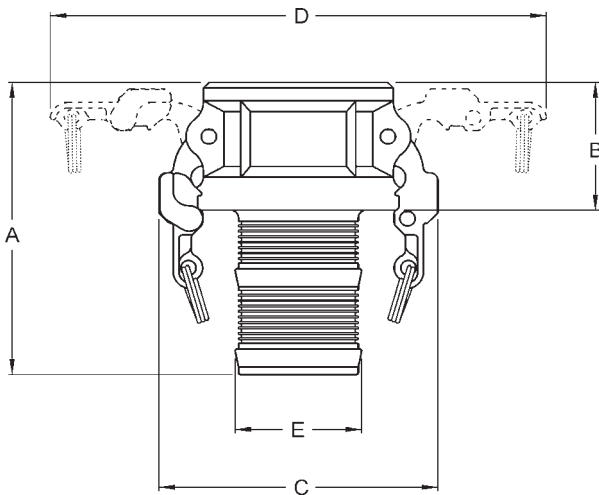
**DIMENSIONS**



*Type E Adapter x Special Hose Shank*

Size	1 1/2"	2"	3"
<b>A</b> Overall Length	5 1/64	5 13/32	6 3/4
<b>B</b> Hose Shank Length	2 3/4	2 13/16	4
<b>C</b> Hose Shank O.D.	1 9/16	2 1/16	3 3/32

Size	Stainless Steel Part #
1 1/2"	<b>RE150PF</b>
2"	<b>RE200PF</b>
3"	<b>RE300PF</b>



**DIMENSIONS**



*Type C Coupler x Special Hose Shank*

Size	1 1/2"	2"	3"
<b>A</b> Overall Length	5 7/16	5	7
<b>B</b> Coupler Length	2 3/32	2 3/16	2 5/16
<b>C</b> Distance Across Closed Cam Arms	4 7/32	4 19/32	5 23/32
<b>D</b> Distance Across Open Cam Arms	7 25/32	8 5/32	9 29/32
<b>E</b> Hose Shank O.D.	1 9/16	2 1/16	3 3/32

Size	Stainless Steel Part #
1 1/2"	<b>RC150EZPF</b>
2"	<b>RC200EZPF</b>
3"	<b>RC300EZPF</b>





The shank design on these fittings was developed specifically for chemical transport hoses having **Crosslinked Polyethylene (XLPE)** or **Ultra High Molecular Weight Polyethylene (UHMW)** tubes, where shank retention can be a problem when using conventional band clamps.

In testing tank transport hoses from a wide variety of manufacturers, the "Boss-Lock-PF" fitting showed significant improvement in hose coupling retention over the conventional Cam and Groove shank design.

Other sizes are available on special order. *Consult the Factory for pricing and availability.* For best results we recommend the use of 3/4" wide band clamps found in the current Dixon Price List.

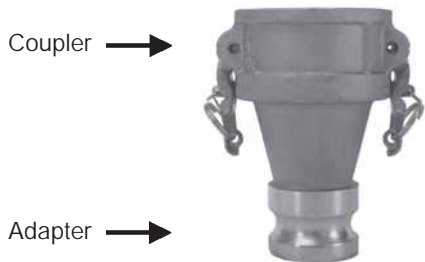


## Dixon / "Andrews" Reducing Couplers x Adapters

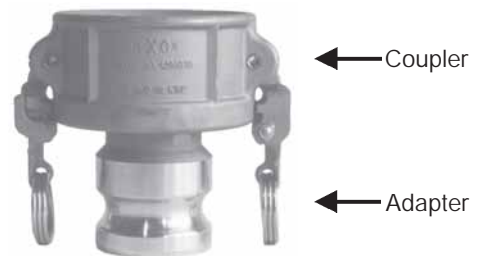
Coupler x Adapter	Aluminum Part #	Aluminum Hard Coat Part #	Brass Part #	Malleable Iron Part #	Stainless Steel Part #		
 <p>Coupler →</p>	1" x 1 1/2"	1015-DA-AL	----	----	1015-DA-SS		
	1 1/2" x 1"	1510-DA-AL	----	----	1510-DA-SS		
	1 1/2" x 2"	1520-DA-AL	----	----	1520-DA-SS		
	2" x 1"	2010-DA-AL	----	----	2010-DA-SS		
	2" x 1 1/2"	2015-DA-AL	----	----	2015-DA-SS		
	2" x 2 1/2"	2025-DA-AL	----	----	2025-DA-SS		
 <p>Adapter →</p>	2" x 3"	2030-DA-AL	----	----	2030-DA-SS		
	2" x 4"	2040-DA-AL	----	----	2040-DA-SS		
	2 1/2" x 2"	----	----	----	2520-DA-SS		
	2 1/2" x 3"	----	----	----	2530-DA-SS		
	3" x 1 1/2"	3015-DA-AL	----	----	3015-DA-SS		
	3" x 2"	3020-DA-AL	3020-DA-ALH	3020-DA-BR	3020-DA-MI	3020-DA-SS	
	3" x 2 1/2"	3025-DA-AL	----	----	3025-DA-SS		
	3" x 4"	3040-DA-AL	----	3040-DA-BR	3040-DA-SS		
	3" x 6"	3060-DA-AL	----	----	3060-DA-SS		
	4" x 2"	4020-DA-AL	----	----	4020-DA-SS		
 <p>Coupler →</p>	4" x 2 1/2"	4025-DA-AL	----	----	4025-DA-SS		
	4" x 3"	4030-DA-AL	4030-DA-ALH	4030-DA-BR	4030-DA-MI	4030-DA-SS	
	4" x 5"	4050-DA-AL	----	----	----		
	4" x 6"	4060-DA-AL	----	----	4060-DA-SS		
	5" x 3"	5030-DA-AL	----	----	5030-DA-SS		
	5" x 4"	5040-DA-AL	----	----	5040-DA-SS		
	 <p>Adapter →</p>	5" x 6"	5060-DA-AL	----	----	5060-DA-SS	
		6" x 3"	6030-DA-AL	----	----	6030-DA-SS	
		6" x 4"	6040-DA-AL	----	6040-DA-BR	6040-DA-MI	6040-DA-SS
		6" x 5"	6050-DA-AL	----	----	6050-DA-SS	
8" x 6"	8060-DA-AL*	----	----	----			

\* Two cam arm, "Andrews" design.

## "Boss-Lock" and "EZ Boss-Lock" Reducing Couplers x Adapters



**BOSS-LOCK**



**EZ BOSS-LOCK**

Coupler x Adapter	Aluminum Part #	Stainless Steel Part #
2" x 3"	ADA2030	RDA2030BL
2 1/2" x 2"	ADA2520	-----
2 1/2" x 3"	ADA2530	-----
3" x 2"	ADA3020	RDA3020BL
3" x 4"	ADA3040	RDA3040BL
4" x 2"	ADA4020	RDA4020BL
4" x 3"	ADA4030	RDA4030BL
6" x 4"	ADA6040	RDA6040BL
8" x 6"	ADA8060	-----

Coupler x Adapter	Aluminum Part #	Stainless Steel Part #
2" x 3"	ADA2030EZ	RDA2030EZ
3" x 2"	ADA3020EZ	RDA3020EZ
3" x 4"	ADA3040EZ	RDA3040EZ
4" x 2"	ADA4020EZ	RDA4020EZ
4" x 3"	ADA4030EZ	RDA4030EZ
6" x 4"	ADA6040EZ	RDA6040EZ

All measurements in this brochure are for reference only and are subject to change. Where dimensions are critical, please consult the factory. For products not shown or special application questions, please consult the factory.



**Dixon Valve & Coupling Company**  
**800 High Street**  
**Chestertown, MD 21620**